



ELEVEN
DYNAMICS



Nexos 4.0

Prices & Products



Build your own solution!

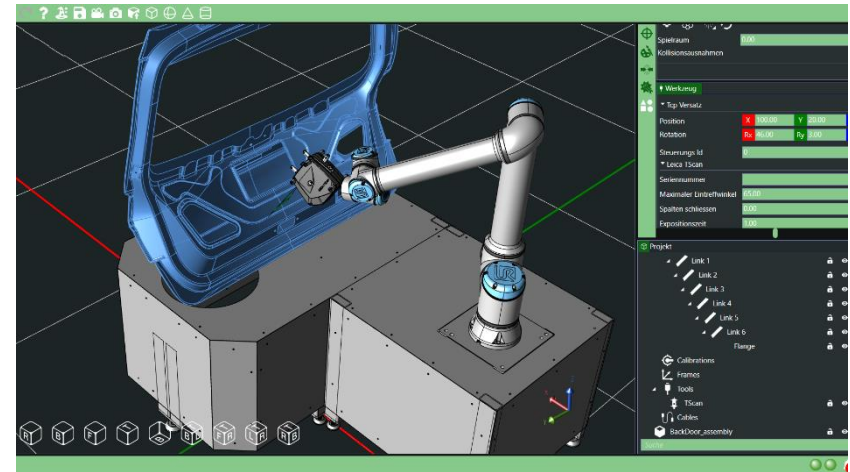
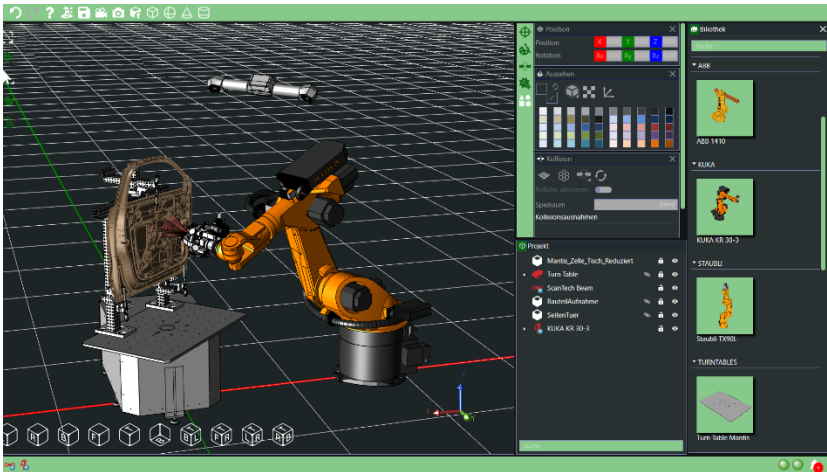
Finally independent!

A network diagram consisting of a series of interconnected nodes and lines, forming a complex web-like structure. The nodes are represented by small circles, and the lines are thin, light-colored lines connecting the nodes. The diagram is located in the bottom right corner of the slide.



Finally free choice of hardware

*Sensor and robot independent integration of hardware
based on the application*



Nexos 4.0

*Hardware independent Software for the
Smart-Factory 4.0*

Products

Subscription Online

- ✓Simulation
- ✓Connection
- ✓Build It
- ✓Planning
- ✓Metrology
- ✓All Robots
- ✓All Sensors
- ✓Updates
- ✓Support

Subscription Offline

- ✓Simulation
- ~~✓Connection~~
- ✓Build It
- ✓Planning
- ✓Metrology
- ✓All Robots
- ✓All Sensors
- ✓Updates
- ✓Support

Single Maintenance

- ✓Simulation
- ✓Connection
- ~~✓Build It~~
- ✓Planning
- ✓Metrology
- ✓1 Robot
- ✓1 Sensor
- ✓Updates
- ✓Support (3 years)

Single No Maintenance

- ✓Simulation
- ✓Connection
- ~~✓Build It~~
- ✓Planning
- ✓Metrology
- ✓1 Robot
- ✓1 Sensor
- ~~✓Updates~~
- ~~✓Support~~

Services

Custom Items

- ✓ New Robot
- ✓ New Sensor
- ✓ New Cell Element

✓ *Price on demand*

Integration

- ✓ New Sensor Controller
- ✓ New Robot Controller
- ✓ PLC

✓ *Price on demand*

Design & Projects

- ✓ We know the best integrator for your project

Training

Basic

- ✓1 Day
- ✓Navigation
- ✓Sensors/Robots 1
- ✓Programming 1
- ✓Execution

Advanced

- ✓2 Days
- ✓Sensors/Robots 2
- ✓Programming 2
- ✓Metrology
- ✓Build your own

Professional

- ✓3 Days
- ✓Build Elements
- ✓Hardware
- ✓Connection

Custom

- ✓On Demand
- ✓Your Topics



ELEVEN
DYNAMICS

